

MS4525



- PCB Mounted Pressure Transducers
- Amplified Ratiometric Analog Output
- Differential, Gage, Absolute, Compound and Vacuum
- Temperature Compensated
- 3.3 or 5.0 Vdc Supply Voltage

DESCRIPTION

The MS4525 is a small, ceramic based, PCB mounted pressure transducer from Measurement Specialties. The transducer is built using Measurement Specialties' proprietary UltraStable™ process and the latest CMOS sensor conditioning circuitry to create a low cost, high performance transducer designed to meet the strictest requirements from OEM customers.

The MS4525 is fully calibrated and temperature compensated with a total error band (TEB) of less than 1.0% over the compensated range. The sensor operates from single supply of either 3.3 or 5.0Vdc and requires a single external component for proper operation.

The rugged ceramic transducer is available in side port, top port, and manifold mount and can measure absolute, gauge, differential, vacuum or compound pressure from 1 to 150psi. The 1/8" barbed pressure ports mate securely with 3/32" ID tubing.

FEATURES

- PSI Pressure Ranges
- PCB Mountable
- High Level Analog Output
- Barbed Pressure Ports

APPLICATIONS

- Factory Automation, Vacuum Switch
- Altitude and Airspeed Measurements
- Medical Instruments
- Leak Detection

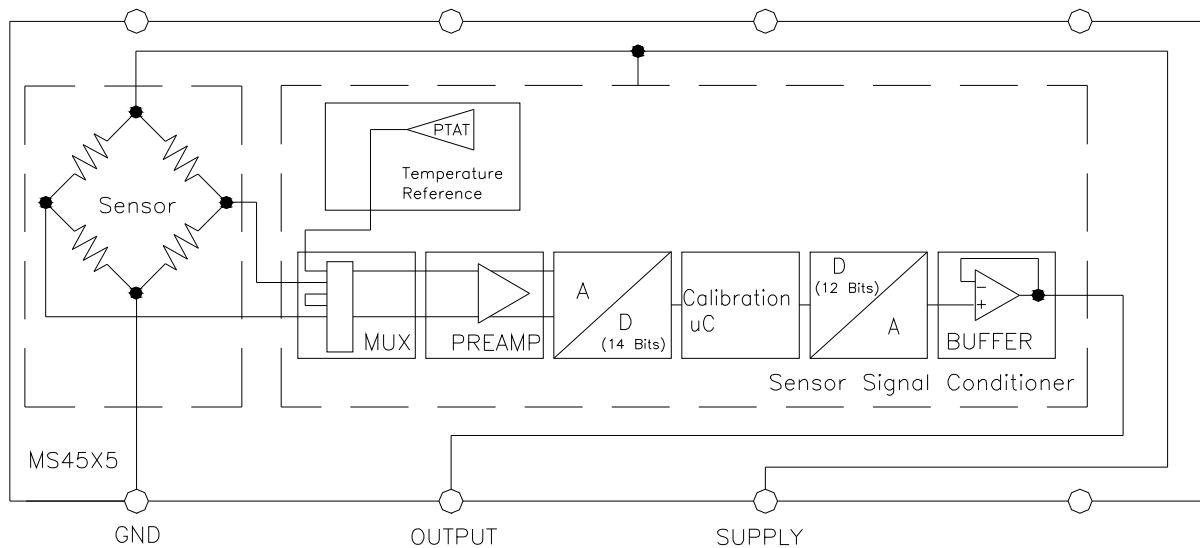
STANDARD RANGES (PSI)

Pressure	Absolute	Gauge	Differential	Compound	Vacuum
1		DS, SS, TP, MM	DS, SS, TP		
2		DS, SS, TP, MM	DS, SS, TP		
5		DS, SS, TP, MM	DS, SS, TP		
15	SS, TP	DS, SS, TP, MM	DS, MM	SS, TP	SS, TP, DS
30	SS, TP	DS, SS, TP, MM	DS, MM	SS, TP	
50	SS, TP	DS, SS, TP, MM	DS, MM	SS, TP	
100	SS, TP	DS, SS, TP, MM	DS, MM	SS, TP	
150	SS, TP	DS, SS, TP, MM	DS, MM	SS, TP	

See Package Configurations: DS= Dual Side Port, SS= Single Side Port, TP= Top Port, MM= Manifold Mount
Pin Style "L" is only available SS and MM port types

MS4525

BLOCK DIAGRAM



ABSOLUTE MAXIMUM RATINGS

Parameter	Conditions	Min	Max	Unit	Notes
Supply Voltage	$T_A = 25^\circ\text{C}$	2.7	5.5	V	
Output Current	$T_A = 25^\circ\text{C}$		3	mA	
Load Resistance (R_L)	$T_A = 25^\circ\text{C}$	10		k Ω	
Storage Temperature		-40	+125	$^\circ\text{C}$	
Humidity	$T_A = 25^\circ\text{C}$		95	%RH	Non Condensing
Overpressure	$T_A = 25^\circ\text{C}$, both Ports	Not to Exceed 300		psi	
Burst Pressure	$T_A = 25^\circ\text{C}$, Port 1			psi	See Table 1
ESD	HBM	-4	+4	kV	EN 61000-4-2
Solder Temperature		250 $^\circ\text{C}$, 5 sec max.			

TABLE 1- BURST PRESSURE BY RANGE AND PACKAGE STYLE

Range	DS	TP, SS, MM	Unit
001	20	20	psi
002	20	20	psi
005	15	20	psi
015	45	90	psi
030	90	200	psi
050	150	300	psi
100	300	300	psi
150	300	300	psi

MS4525

ENVIRONMENTAL SPECIFICATIONS

Parameter	Conditions
Mechanical Shock	Mil Spec 202F, Method 213B, Condition C, 3 Drops
Mechanical Vibration	Mil Spec 202F, Method 214A, Condition 1E, 1Hr Each Axis
Thermal Shock	100 Cycles over Storage Temperature, 30 minute dwell
Life	1 Million FS Cycles
MTTF	>10Yrs, 70 °C, 10 Million Pressure Cycles, 120%FS Pressure

PERFORMANCE SPECIFICATIONS

Supply Voltage¹: 5.0V or 3.3 Vdc

Reference Temperature: 25°C (unless otherwise specified)

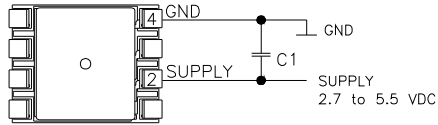
PARAMETERS	MIN	TYP	MAX	UNITS	NOTES
Accuracy	-0.25		0.25	%Span	2
Total Error Band (TEB)	-1.0		1.0	%Span	3,5
Supply Current		3		mA	5
Compensated Temperature	-10		+85	°C	4
Operating Temperature	-25		+105	°C	
Response Time		1		mS	5
Weight		3		grams	
Media	Non-Corrosive Dry Gases Compatible with Ceramic, Silicon, Pyrex, PPS, RTV, Gold, Aluminum and Epoxy. See "Wetted Material by Port Designation" chart below.				

Notes

- Proper operation requires an external capacitor placed as shown in Connection Diagram. Output is ratiometric to supply voltage variations of less than 10%.
- The maximum deviation from a best fit straight line (BFSL) fitted to the output measured over the pressure range at 25°C. Includes all errors due to pressure non linearity, hysteresis, and non repeatability.
- Total error band includes all accuracy errors, thermal errors over the compensated temperature range, and span and offset calibration tolerances. For ideal sensor output with respect to input pressure, reference Pressure Transfer Function charts below. TEB values are valid only at the calibrated supply voltage.
- For errors beyond the compensated temperature range, see Extended Temperature Multiplier chart below.
- This product can be configured for custom OEM requirements, contact factory for lower power consumption or higher accuracy.

MS4525

CONNECTION DIAGRAM



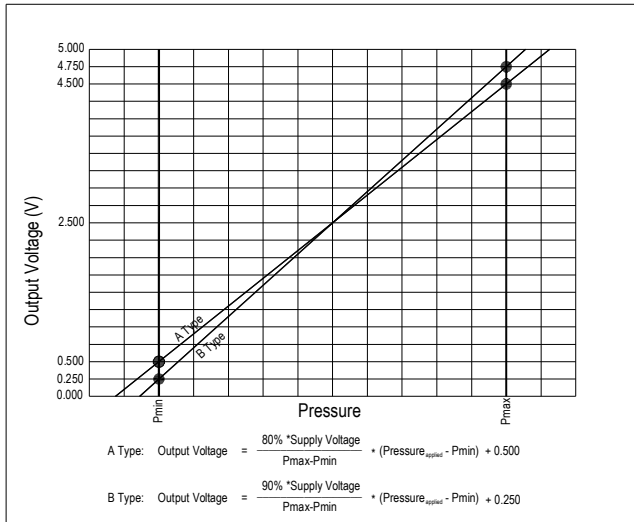
Notes

1. Place 100nF capacitor between Supply and GND to within 2 cm of sensor.

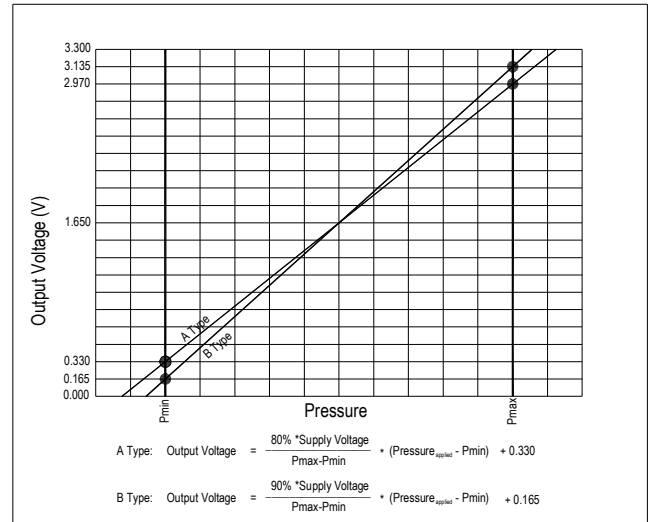
PRESSURE AND TEMPERATURE TRANSFER FUNCTION

Gage, Differential and Compound Pressure Types

Pressure Transfer Functions, Supply=5V



Pressure Transfer Functions, Supply=3.3V



Sensor Output at Significant Percentages (Supply=5.000V)

% Output	Output Type A (PSI)	Output Type B (PSI)	Voltage(V)
0	$P_{\text{min}} - (P_{\text{max}} - P_{\text{min}}) * 10 / 80$	$P_{\text{min}} - (P_{\text{max}} - P_{\text{min}}) * 5 / 90$	0.000
5	Pmin	Pmin	0.250
10			0.500
50			2.500
90	Pmax		4.500
95	Pmax	Pmax	4.750
100			5.000

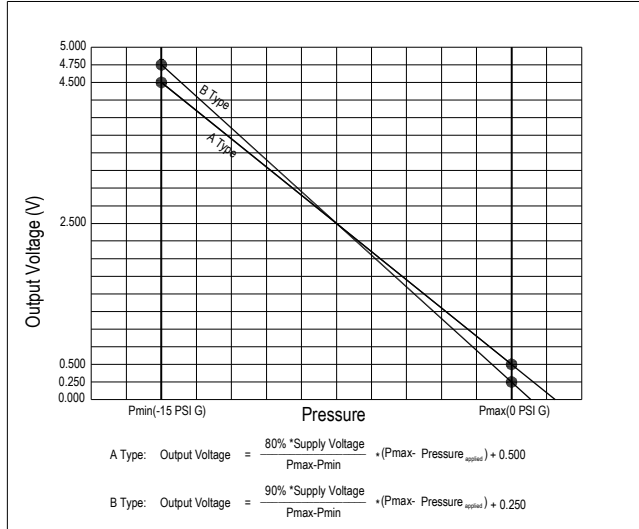
Sensor Output at Significant Percentages (Supply=3.300V)

% Output	Output Type A (PSI)	Output Type B (PSI)	Voltage(V)
0	$P_{\text{min}} - (P_{\text{max}} - P_{\text{min}}) * 10 / 80$	$P_{\text{min}} - (P_{\text{max}} - P_{\text{min}}) * 5 / 90$	0.000
5	Pmin	Pmin	0.165
10			0.330
50			1.650
90	Pmax		2.970
95	Pmax	Pmax	3.135
100			3.300

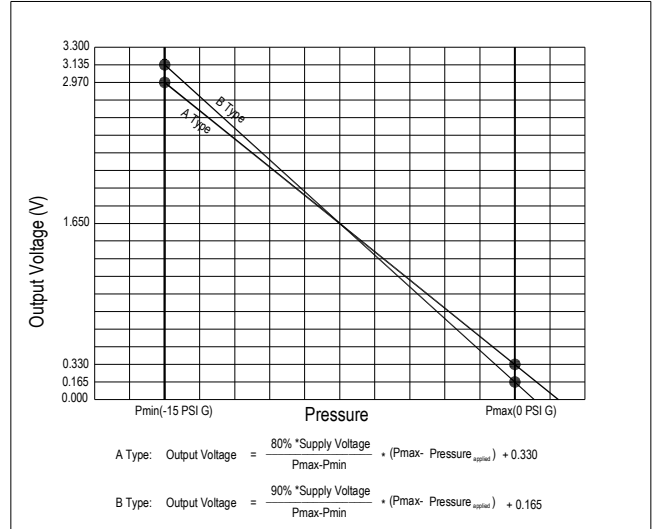
MS4525

Vacuum Pressure Type

Vacuum Series Transfer Functions, Supply=5V



Vacuum Series Transfer Functions, Supply=3.3V



Sensor Output at Significant Percentages (Supply=5.000V)

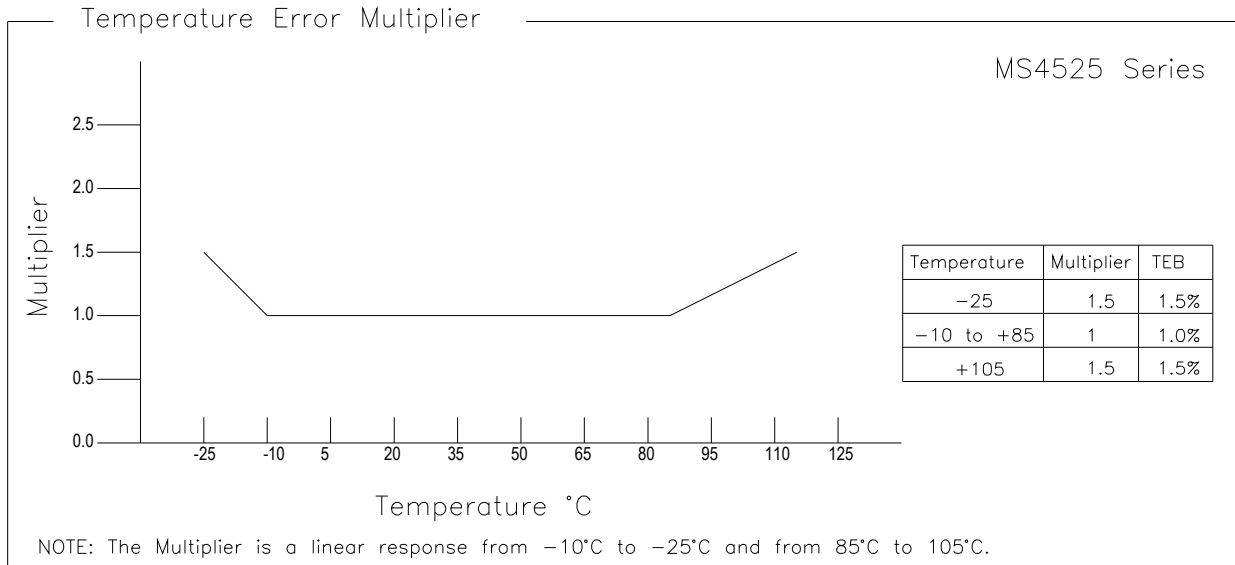
% Output	Output Type A (PSI G)	Output Type B (PSI G)	Voltage(V)
0	1.6875	0.833	0.000
5		0	0.250
10	0		0.500
50			2.500
90	-15		4.500
95	-	-15	4.750
100	-	-	5.000

Sensor Output at Significant Percentages (Supply=3.300V)

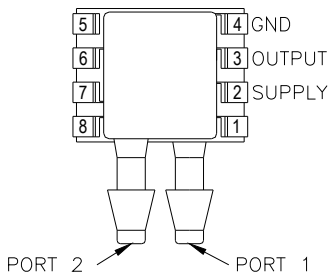
% Output	Output Type A (PSI G)	Output Type B (PSI G)	Voltage(V)
0	1.6875	0.833	0.000
5		0	0.165
10	0		0.330
50			1.650
90	-15		2.970
95	-	-15	3.135
100	-	-	3.300

MS4525

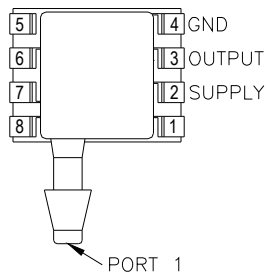
EXTENDED TEMPERATURE MULTIPLIER CHART



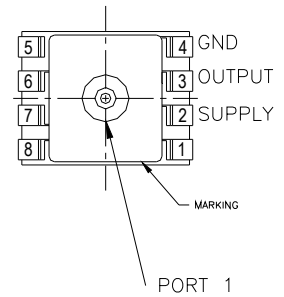
PACKAGE, PINOUT & PRESSURE TYPE CONFIGURATION



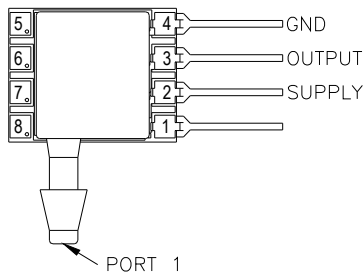
MS4525-DSv0xxxP



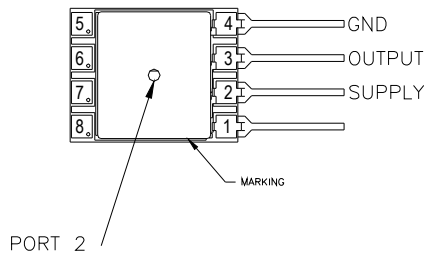
MS4525-SSv0xxxP



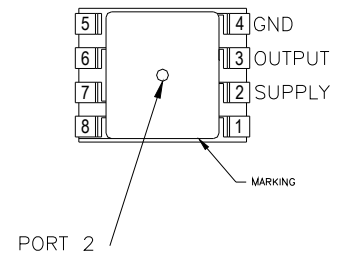
MS4525-TPv0xxxP



MS4525-SSv0xxxL



MS4525-MMv0xxxL



MS4525-MMv0xxxP

MS4525

Pin Name	Pin	Function
SUPPLY	2	Positive Supply Voltage
OUTPUT	3	Analog Output
GND	4	Ground
	1, 5-8	No Connection

Pressure Type	Pmin	Pmax	Description
Absolute	0psiA	+Prange	Output is proportional to the difference between 0psiA (Pmin) and pressure applied to Port 1.
Differential/ Bidirectional	-Prange	+Prange	Output is proportional to the difference between Port 1 and Port 2. Output swings positive when Port 1 > Port 2. Output is 50% of supply voltage when Port 1=Port 2.
Gauge	0psiG	+Prange	Output is proportional to the difference between 0psiG (Pmin) and Port 1. Output swings positive when Port 1 > Port 2.
Vacuum	-15psiG	+0psiG	Output is inversely proportional to the difference between -15psiG pressure (Pmin) and pressure applied to Port 1.
Compound	-15psiG	+Prange	Output is proportional to the difference between -15psiG pressure (Pmin) and pressure applied to Port 1.

Prange is equal to the maximum full scale pressure specified in the ordering information.

WETTED MATERIAL BY PORT DESIGNATION

Style	Port	Material							
		PPS	Ceramic	Silicon	Pyrex	RTV	Gold	Aluminum	Epoxy
DS, MM	Port 1	X	X	X	X	X			X
	Port 2	X	X	X	X	X	X	X	X
SS, TP	Port 1	X	X	X	X	X	X	X	X

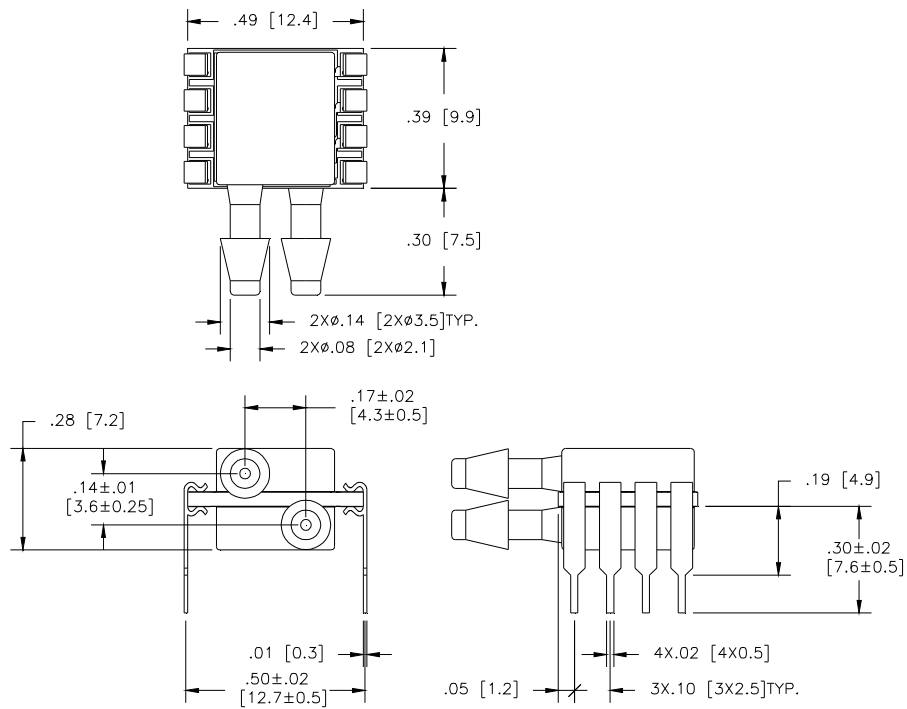
"X" Indicates Wetted Material

MS4525

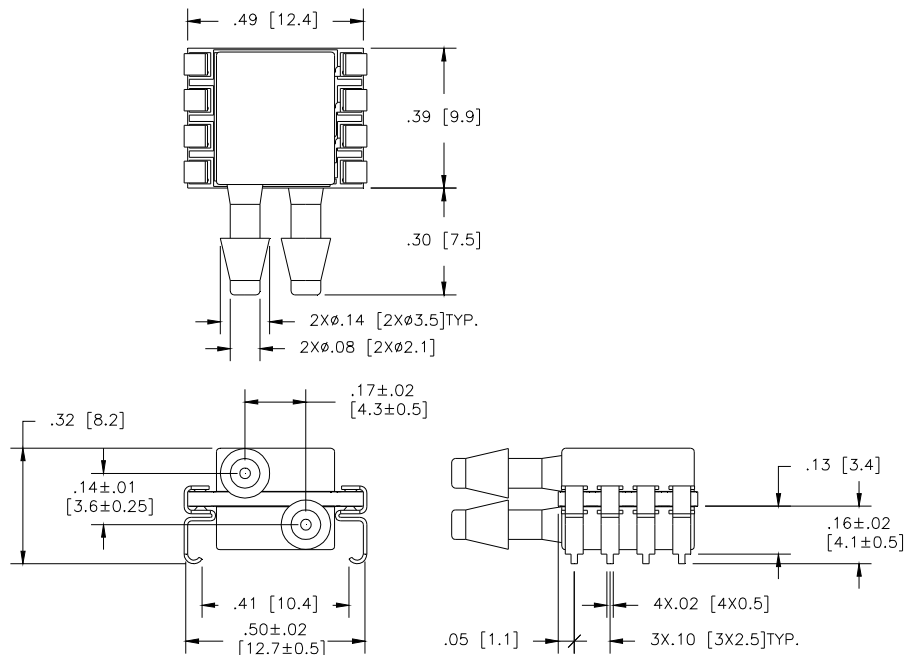
DIMENSIONS

DIMENSIONS ARE IN INCHES [mm]

Model MS4525-DSvoxxxYP



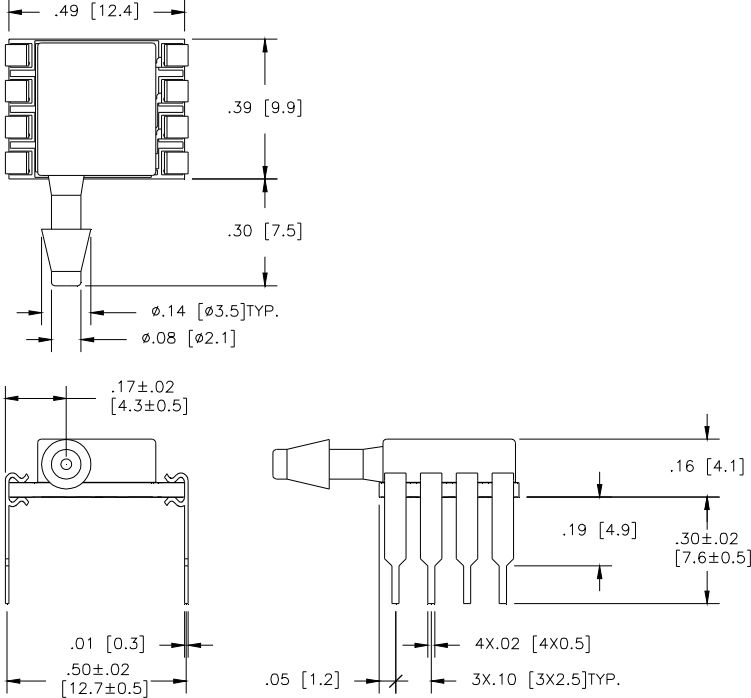
Model MS4525-DSvoxxxYS



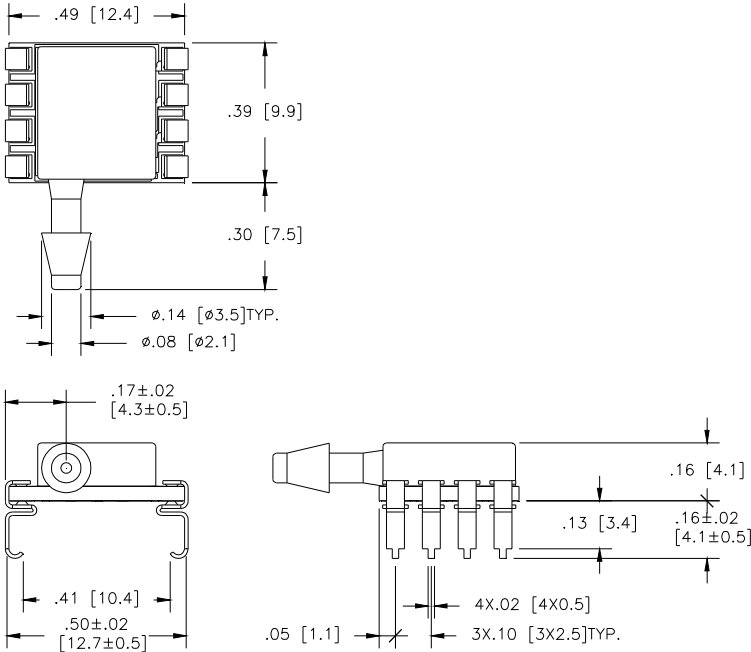
MS4525

DIMENSIONS ARE IN INCHES [mm]

Model MS4525-SSvoxxxP



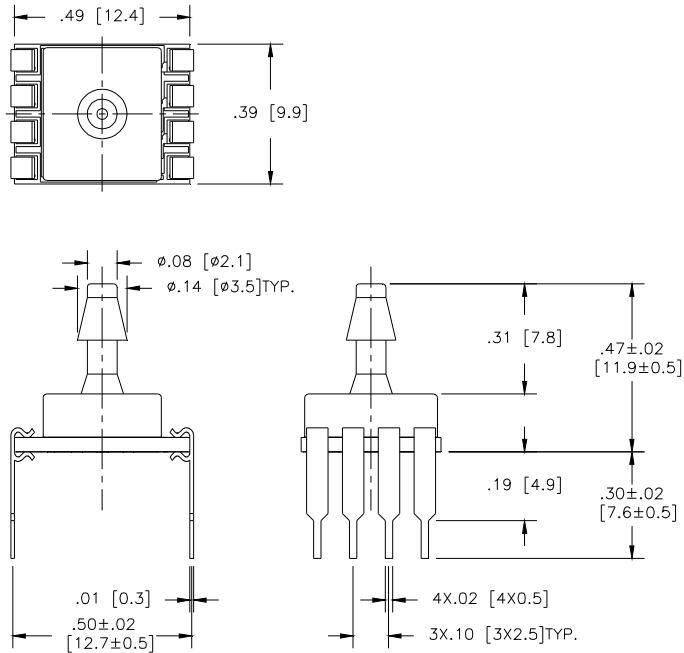
Model MS4525-SSvoxxxS



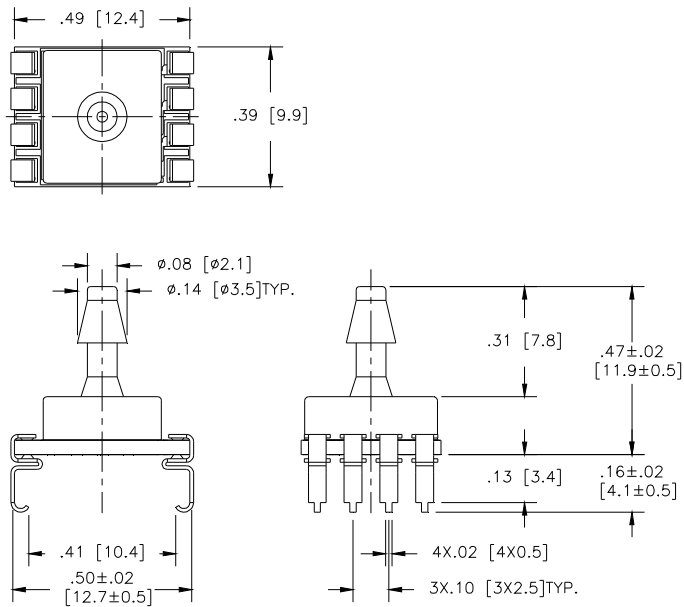
MS4525

DIMENSIONS ARE IN INCHES [mm]

Model MS4525-TPv0xxxxyP



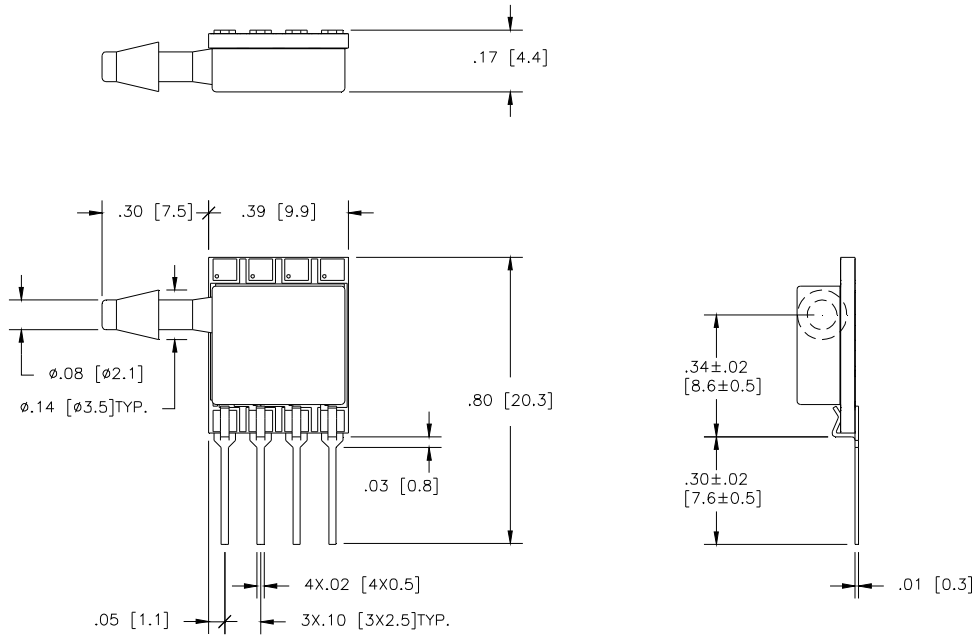
Model MS4525-TPv0xxxxyS



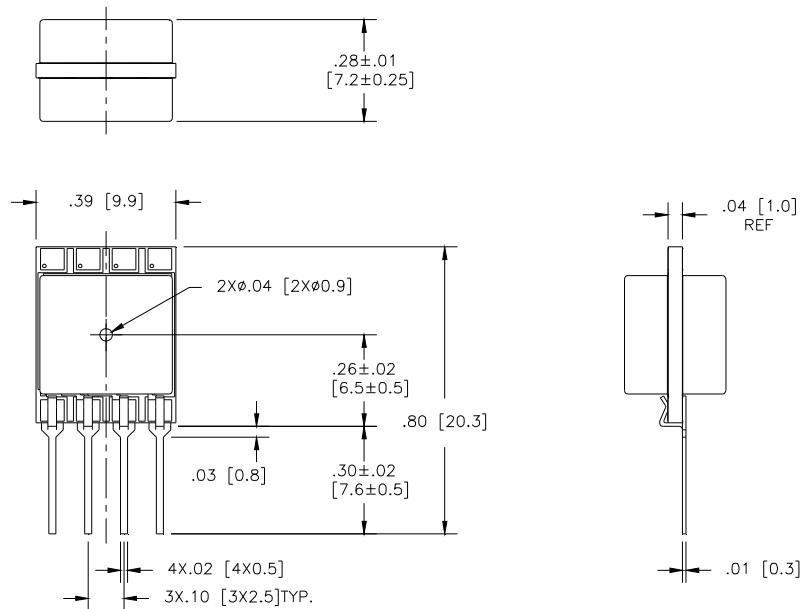
MS4525

DIMENSIONS ARE IN INCHES [mm]

Model MS4525-SSvoxxxxL



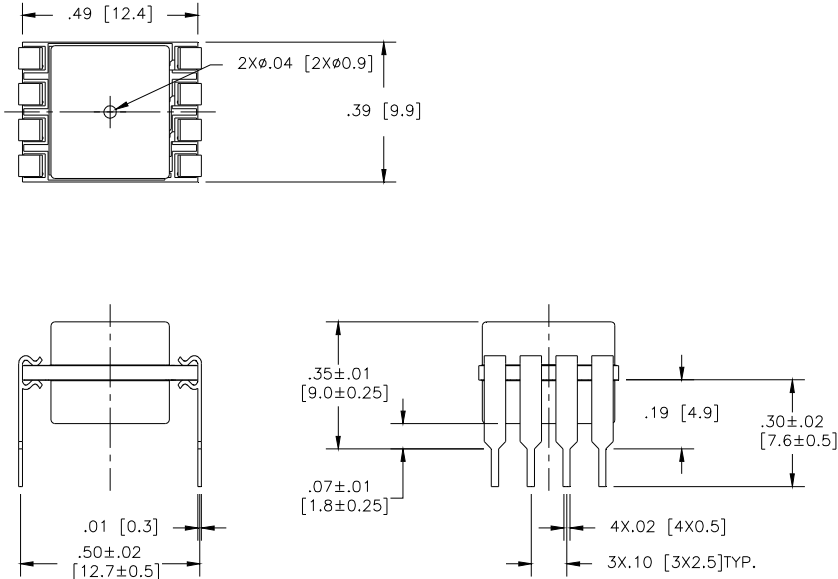
Model MS4525-MMvoxxxxL



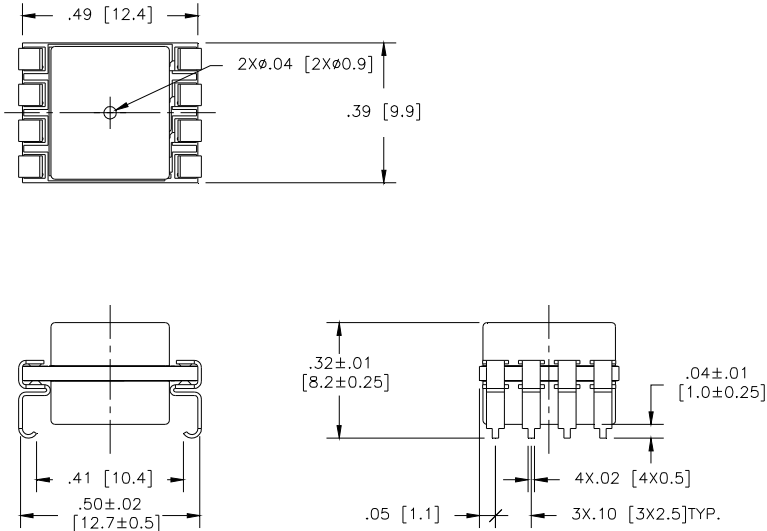
MS4525

DIMENSIONS ARE IN INCHES [mm]

Model MS4525-MMvoxxxxyP



Model MS4525-MMvoxxxxyS



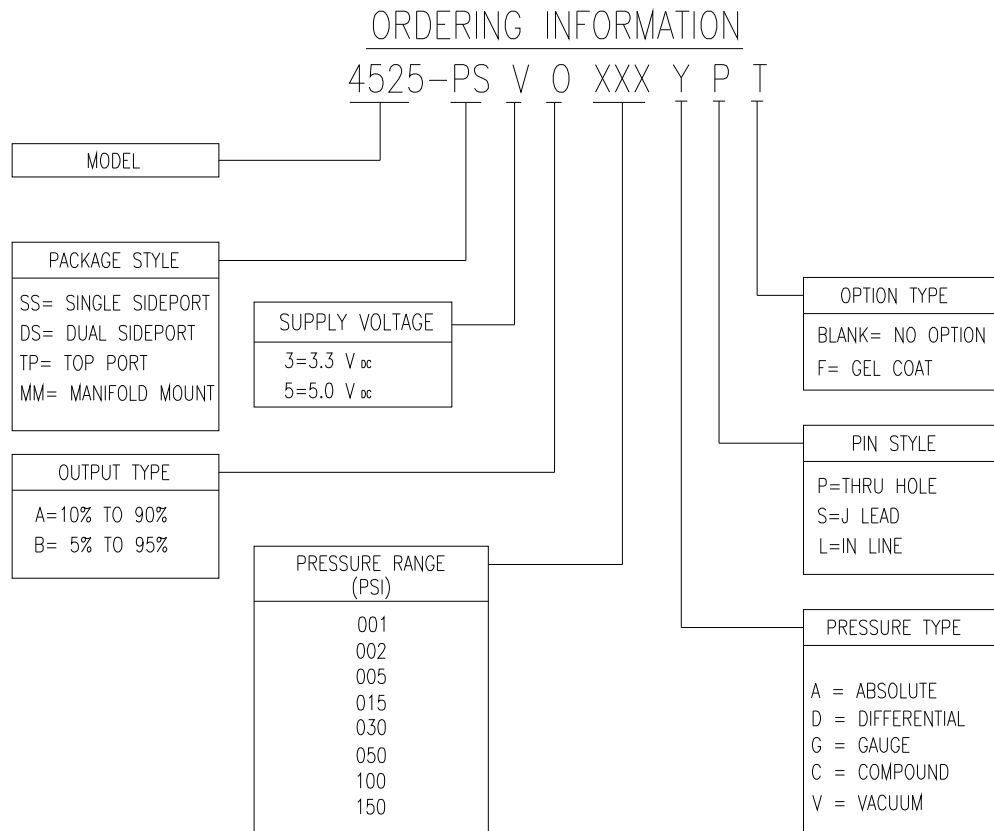
MS4525

AVAILABLE OPTIONS

Gel Coat (-F Option)

The MS45x5 is designed for non ionic and clean dry air applications. Select this option for added protection in high humidity or slightly corrosive environments with the application of a silicone gel elastomer to sensor and ASIC. For questions concerning media compatibility, contact the factory.

ORDERING INFORMATION



MS4525

NORTH AMERICA

Measurement Specialties
45738 Northport Loop West
Fremont, CA 94538
Tel: 1-800-767-1888
Fax: 1-510-498-1578
Sales: pfg.cs.amer@meas-spec.com

EUROPE

Measurement Specialties
(Europe), Ltd.
26 Rue des Dames
78340 Les Clayes-sous-Bois, France
Tel: +33 (0) 130 79 33 00
Fax: +33 (0) 134 81 03 59
Sales: pfg.cs.emea@meas-spec.com

ASIA

Measurement Specialties
(China), Ltd.
No. 26 Langshan Road
Shenzhen High-Tech Park (North)
Nanshan District, Shenzhen 518057
China
Tel: +86 755 3330 5088
Fax: +86 755 3330 5099
Sales: pfg.cs.asia@meas-spec.com

The information in this sheet has been carefully reviewed and is believed to be accurate; however, no responsibility is assumed for inaccuracies. Furthermore, this information does not convey to the purchaser of such devices any license under the patent rights to the manufacturer. Measurement Specialties, Inc. reserves the right to make changes without further notice to any product herein. Measurement Specialties, Inc. makes no warranty, representation or guarantee regarding the suitability of its product for any particular purpose, nor does Measurement Specialties, Inc. assume any liability arising out of the application or use of any product or circuit and specifically disclaims any and all liability, including without limitation consequential or incidental damages. Typical parameters can and do vary in different applications. All operating parameters must be validated for each customer application by customer's technical experts. Measurement Specialties, Inc. does not convey any license under its patent rights nor the rights of others.