

CV-Charger

Single-Port 2.0 and 3.1 USB Charger

PRODUCT WEBPAGE

Request sample, Configure part



The USB CV-Charger is designed to charge electronic devices compatible with 2.0 or 3.1 USB types. The CV-Charger delivers fast charging times even in extreme temperatures from -40 °C to +85 °C. This innovative product features a spring-loaded access door that automatically closes to safeguard its electronics, assuring prolonged safe and reliable operation. The center LED indicates charging is in progress.

3.6A

Fast Charging

9-32V

Operating Voltage

IP64 Sealing

For Above-Panel Components

Typical Applications

- On/Off-Highway Equipment
- Lawn & Garden Equipment
- Military
- Golf Carts
- Marine

Tech Specs

Electrical

USB Type	2.0 for type A (4 pins) 3.1 for type C (16 pins)
Number of USB Ports	1
Operating Voltage	9-32VDC
Max. Output Power	18W for single port A, 18W for single port C
Max. Output Current	3.6A
Charging Protocol	BC1.2, Apple, Samsung, Qualcomm QC2.0/QC3.0, MTK PE1.1/2.0, Huawei FCP/SCP, Samsung AFC for single port A.
LED Indicator	Green LED brightens when charging is in progress.
Reverse Polarity	ISO 16750-2: 2012 4.7; Apply power supply with -28 VDC for 60s
ESD	ISO 10605: 2008; ±15kV air discharges, ±8kV contact discharges
Electrical Endurance	5000 cycles USB plug push in pull out with charging
Over Voltage	ISO 16750-2: 2012 4.3; Power up with 36VDC for 60 min at 65 °C
Withstand Voltage	ISO 16750-2: 2012 4.11; Apply 500VRMS with a duration of 60s
Insulation Resistance	ISO 16750-2: 2012 4.12; Measure with 500VDC for 60s, resistance value >10MΩ

Physical

Mounting Method	Snap
Panel Opening	.83" x 1.45"; 21.08mm x 36.83mm
Panel Thickness	0.76mm to 3.96mm
Connectors	Carling VC2, VC1 housing Two pin connectors
Mating Terminal	Tyco/AMP .25 QC faston series for VC2 housing, Delphi GT 630 series for VC1
Weight	196 grams [.43 lbs]
Size	L47.73 X W25.9 X H64.2mm

Mechanical

Life Cycles	5000 cycles for USB port; 30,000 cycles for door
-------------	---

Agency Certifications

CE ertification	2014/30/EU EN 50498:2010
-----------------	-----------------------------

Environmental

Sealing Protection (when doors closed)	IEC 60529: 2013; IP64, for above-panel components of the actual switch only
Operating Temperature	- 40 °C to + 85 °C
Storage Temperature	ISO 16750-4: 2010; - 50 °C to + 95 °C
Thermal, Hot Soak	IEC 60068-2-2: 2007; Test Bb, +85 °C for 24 hours
Thermal, Cold Soak	IEC 60068-2-1: 2007; Test Ab, -40 °C for 24 hours
Thermal Shock	IEC 60068-2-14: 2009; Test Na -40 °C to +85 °C, soak for 1hrs at each extreme and transfer within 3min, repeat 10 cycles
Thermal Cycling	IEC 60068-2-14: 2009; Test Nb, -40 °C to 85 °C, dwell for 2h at each extremes with transfer rate 3 °C/min, 2 cycles
Humidity, Soak	IEC 60068-2-78: 2012; Test Cab, +40 °C at 93±3% RH for 4 days
Damp Heat Cyclic	IEC 60068-2-30: 2005; Test Db Method 1, 25 °C to 55 °C cycling change with 93± 3% RH for 6 cycles, totally 144h
Salt Spray	IEC 60068-2-11:1981; Salt mist with 35°C, totally 48h
Chemical Resistance (Resistance to Solvents)	ISO 16750-5: 2010; Brushing engine oil, hydraulic oil, diesel fuel, urea at 85°C for 22hrs. Dipping battery fluid for 22hrs and alcohol for 10min at 25°C
Vibration, Random	IEC 60068-2-64: 2008; Range:10-2000Hz. Acceleration 57.088m/s ² (RMS), Duration 8h per axial
Vibration, Resonance	IEC 60068-2-6: 2007; Sweep 10Hz-500Hz per axis with amplitude 0.5mm (10-50Hz) and 19.6m/s ² (50-500Hz). Apply 100 m/s ² at resonance point for 1h
Vibration, Sinusoidal	IEC 60068-2-6: 2007; Sweep 10Hz-500Hz with amplitude 0.75mm (10-58.1Hz), 100m/s ² (58.1-200Hz) for 4h at Z axis and 2h at X/Y axis
Mechanical Shock	IEC 60068-2-27: 2008; Acceleration: 500m/s ² , dwell 11ms. 3 pulse per axial, Total 18 times
Mechanical Bump	IEC 60068-2-27: 2009; Acceleration: 400m/s ² , dwell 6ms. 100 pulse per axial, total 600 times
Drop test	IEC 60068-2-31: 2008; Test Ec Free Fall -Procedure 1 drop in each direction of the 3 axis (6 total drops) from 1000mm

Ordering Scheme

Sample Part Number CHG - A 2 A - 001

Selection 1 2 3 4 5

1. SERIES

CHG CV-Charger

2. POWER

A 18W

3. PORT TYPE

1 Single Port A (2.0 USB) 2 Single Port C (3.1 USB)

4. INDICATOR LIGHT COLOR

A Green

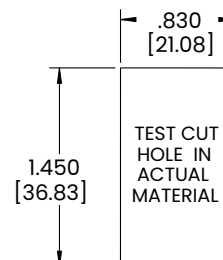
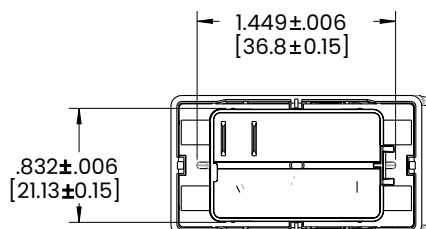
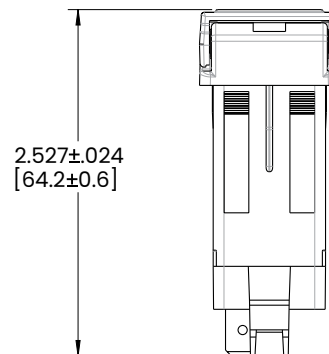
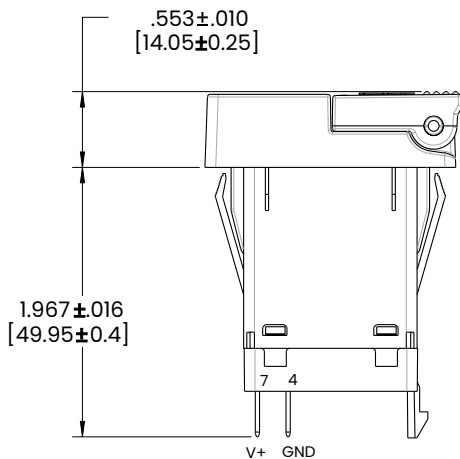
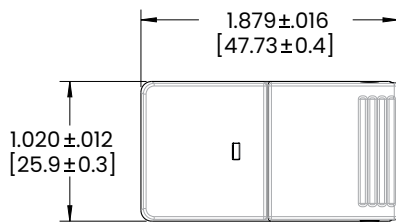
5. LEGEND

000 No Legend
001 Legend 1



Dimensional Specs

inches [millimeters]



Authorized Sales Representatives and Distributors

Click on a region of the map below to find your local representatives and distributors or visit www.carlingtech.com/findarep.



About Carling

Founded in 1920, Carling Technologies is a leading manufacturer of electrical and electronic switches and assemblies, circuit breakers, electronic controls, power distribution units, and multiplexed power distribution systems. With six ISO9001 and IATF16949 registered manufacturing facilities and technical sales offices worldwide, Carling Technologies Sales, Service and Engineering teams do much more than manufacture electrical components, they engineer powerful solutions! To learn more about Carling please visit www.carlingtech.com/company-profile.

To view all of Carling's environmental, quality, health & safety certifications please visit www.carlingtech.com/environmental-certifications.

© Carling Technologies, Inc.

4. Carling is a registered trademark of Carling Technologies, Inc. in the U.S. and other countries.