

C1005B-Series

THERMAL CIRCUIT PROTECTORS

The C1005B-Series offers the functionality of a switch and circuit breaker in a single compact package, which fits an industry standard .550 x 1.125 mounting hole. This combo device eliminates the need for both a switch and thermal circuit protector on customer panels. By using only this multipurpose product, wiring and assembly costs are greatly reduced, while at the same time, valuable panel real estate is saved.

The C1005B-Series is available lighted or unlighted, in a variety of colors, with solder lug or .250 tabs. Current ratings range from 7-16 amps at 125 and 250 VAC and up to 32 VDC.



Resources:

[Configure a Complete Part](#)

[Download CAD & Sales Drawing >](#)

Product Highlights

- .550 x 1.125 mounting hole (14mm x 28.6mm)
- Ratings from 7-16A
- Standard Reset/Off Legend
- .250 Tabs or Solder Lug Terminations
- 65°C Max Operating Temperature
- 1000 AIC Interrupting Capacity
- 1500 VAC Dielectric Strength
- 100M ohms @500VDC Insulation Resistance
- UL1077, UL1363, IEC 60934

Typical Applications:

- Household and Commercial Appliances
- On/Off-Highway
- Marine
- Telecom
- Power Strips and Supplies
- Audio-Visual Equipment
- Medical
- Generators



Carling Technologies®

Innovative Designs. Powerful Solutions.

Carling Technologies, Inc.
60 Johnson Avenue, Plainville, CT 06062
Email: sales@carlingtech.com
Application Support: team2@carlingtech.com
Phone: 860.793.9281 Fax: 860.793.9231

www.carlingtech.com

C1005B - 3 B 15 1 B R 3

1
Series

2
Illumination

3
Termination

4
Current Rating

5
Contact Material

6
Bezel Legend

7
Rocker Color

8
Lamp Voltage

1 SERIES
C1005B

2 ILLUMINATION
2 Non-Lighted
3 Lighted

3 TERMINATION
A Solder Lug
B .250 Tab

4 CURRENT RATING (AMPERES)

07	7 amps	12	12 amps
08	8 amps	13	13 amps
09	9 amps	14	14 amps
10	10 amps	15	15 amps
11	11 amps	16	16 amps

5 CONTACT MATERIAL 1

1 Silver Cad Oxide (switch), Silver plated copper (breaker)

6 BEZEL LEGEND IMPRINT

B Black Bezel with white legend
W White Bezel with black legend
C Gray Bezel with black legend

7 ROCKER COLOR

R Red
G Green
U Blue
T Clear

Note: RESET OFF Legend is standard.

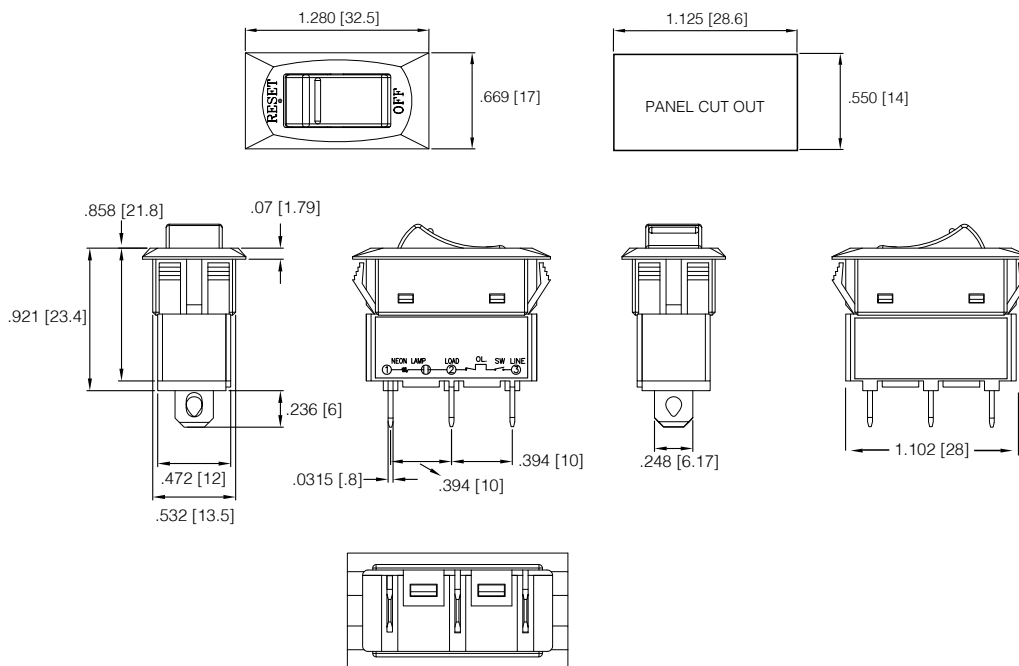
8 LAMP VOLTAGE

3 Neon Lamp 125/250 VAC
9 Non-lighted

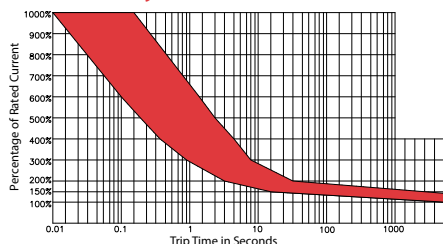
Notes:

- Silver cad oxide switch and breaker contacts are available as a special order. Specify 3 for selection 5

Dimensional Specifications: in. [mm]



Time Delay



Overload	Trip Time
100%	No Trip
150%	Trip in 1 hr
200%	4.0 ~ 40 sec.
300%	0.9 ~ 8.0 sec.
400%	0.42 ~ 5.0 sec.
500%	0.25 ~ 3.0 sec.
600%	0.01 ~ 1.8 sec.

Time Trip Factor 1	
-10 °C	x 1.70
-5 °C	x 1.60
0 °C	x 1.50
5 °C	x 1.40
10 °C	x 1.30
15 °C	x 1.20
20 °C	x 1.10
25 °C	x 1.00

Time Trip Factor 1	
30 °C	x 0.90
35 °C	x 0.85
40 °C	x 0.80
45 °C	x 0.75
50 °C	x 0.70
55 °C	x 0.65
60 °C	x 0.60

Notes:

- Trip Time factor is a guideline that indicates ambient temperature effect on trip times at various overload values.

*Manufacturer reserves the right to change product specification without prior notice.